



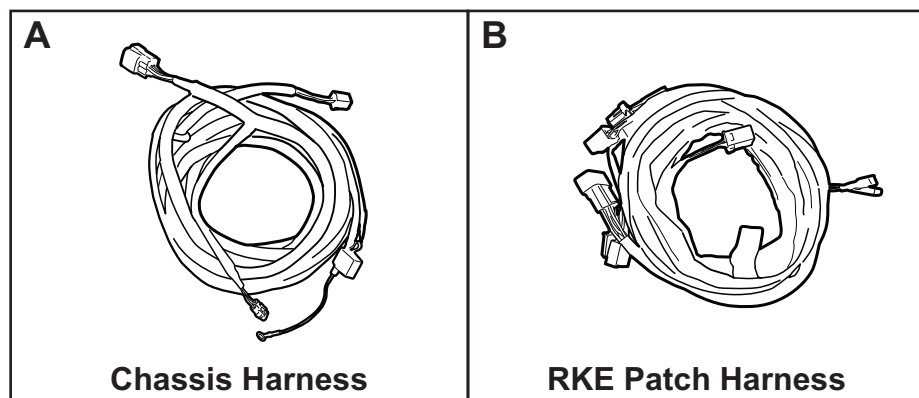
ISUZU D-MAX 2021+



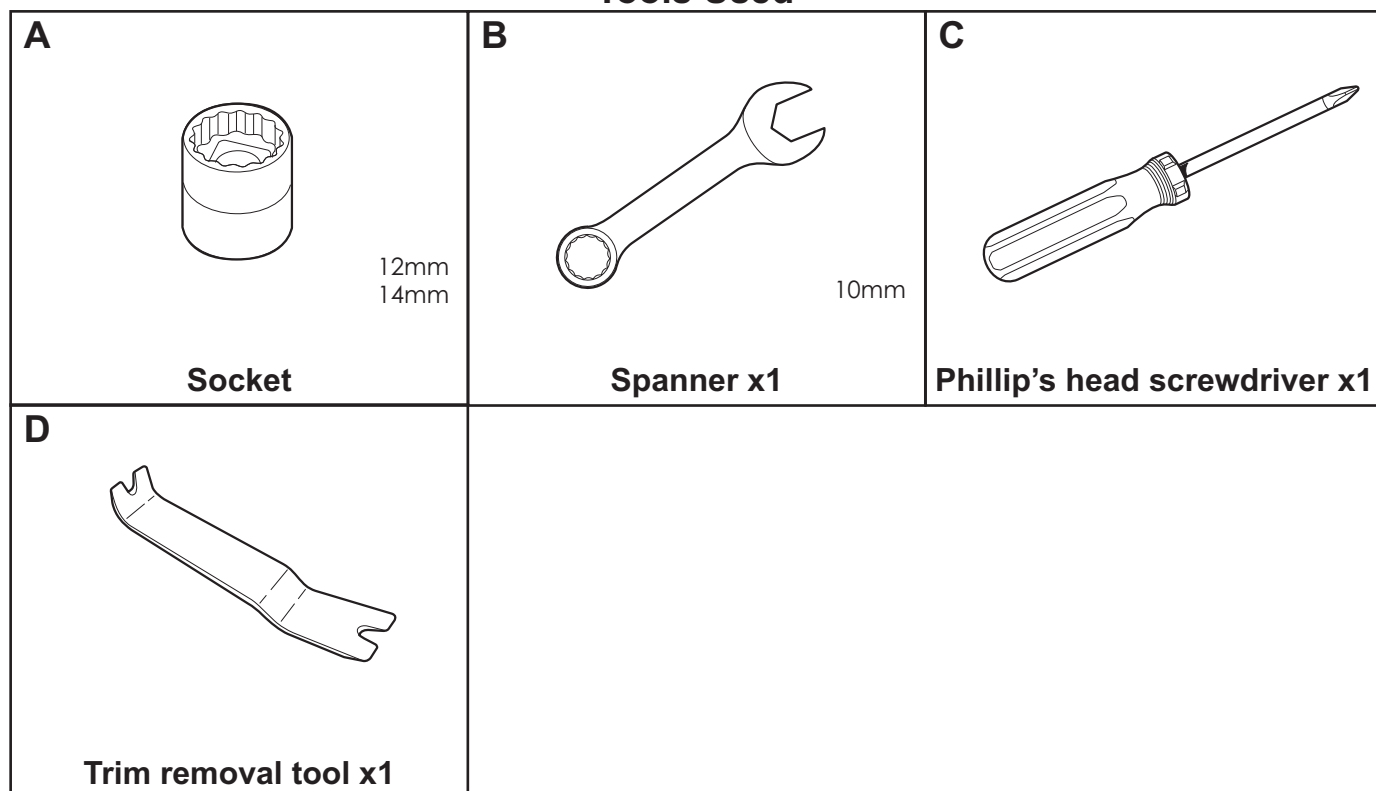
General Notes

- Read through the fitting instructions before installation of accessory.
- Ensure all recyclable components and packaging are discarded and recycled following local recycling regulations.
- Safely store and protect any removed vehicle components.

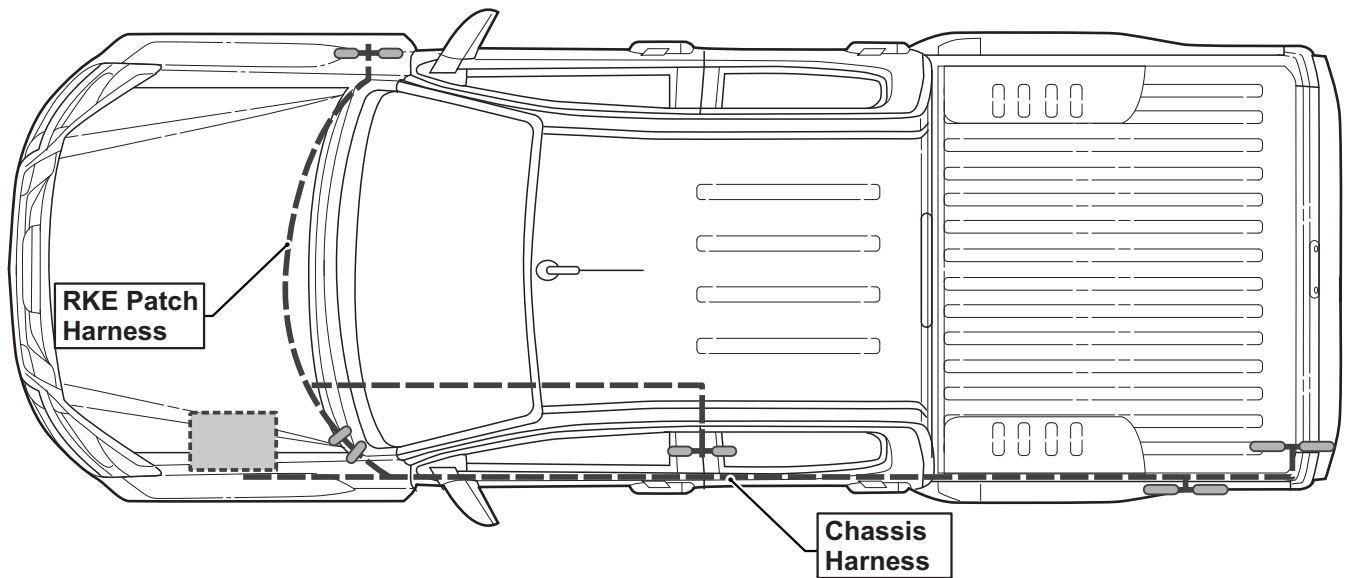
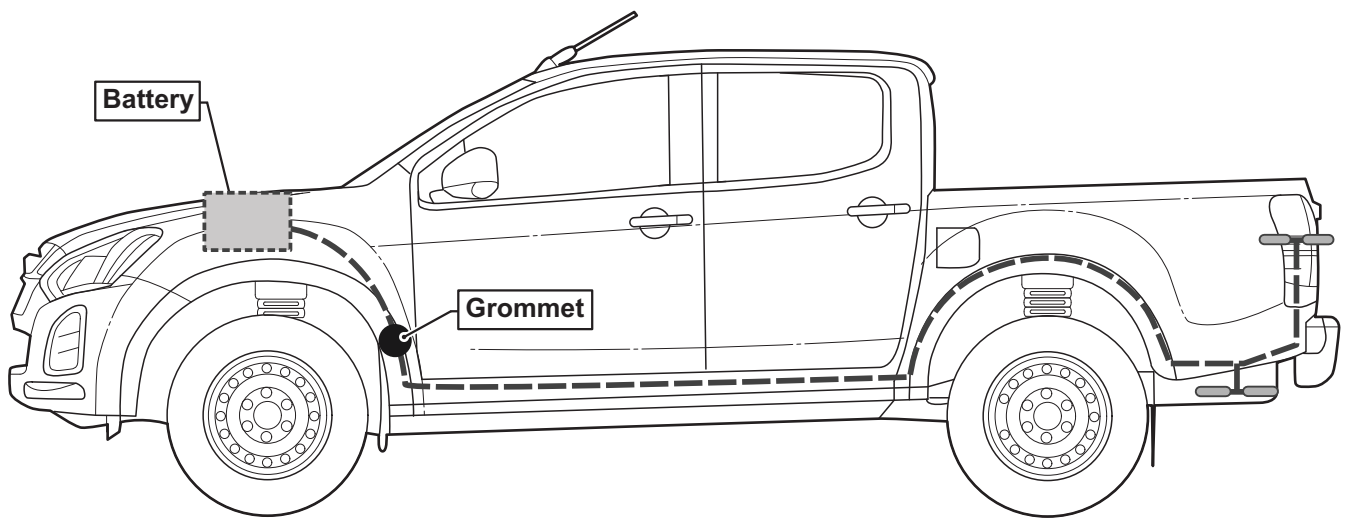
Parts Supplied



Tools Used



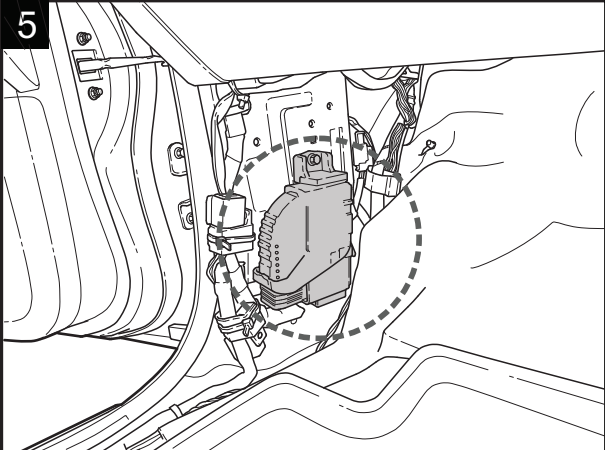
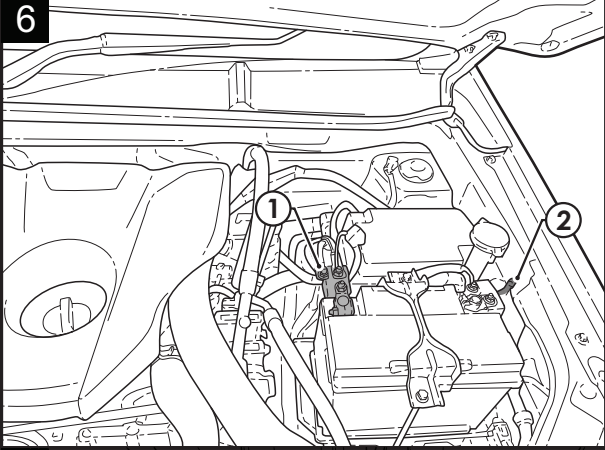
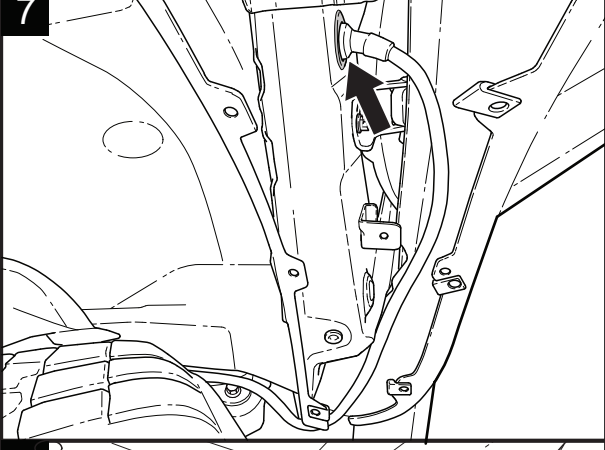
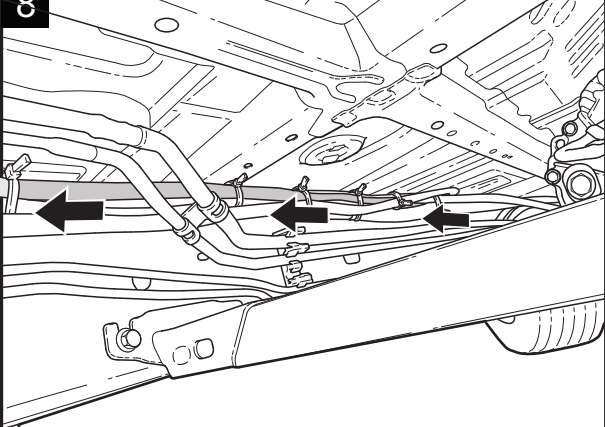
Harness Layout



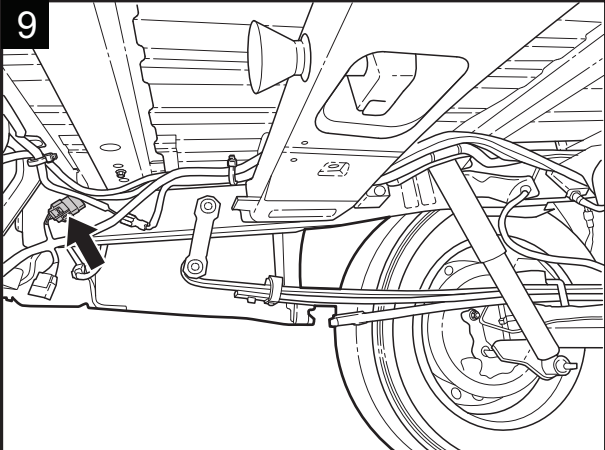
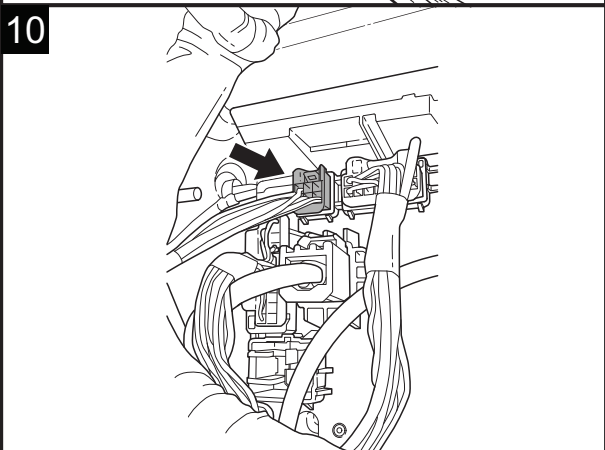
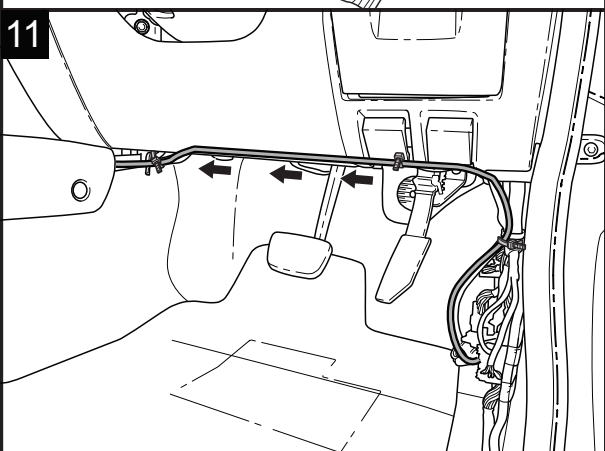
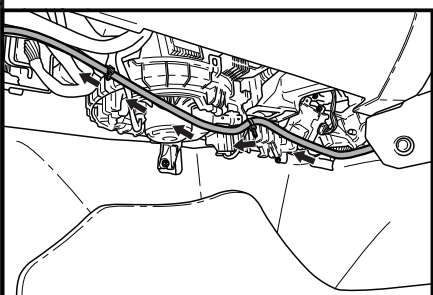
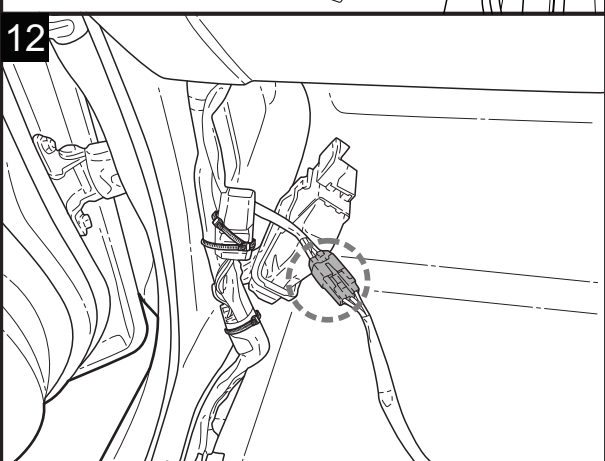
ISUZU D-MAX 2021+

<p>1</p>	<ul style="list-style-type: none"> • Note down all clock and radio settings. • In the Engine Bay disconnect the negative battery terminal (1).
<p>2</p>	<ul style="list-style-type: none"> • Inside the car, remove LHS & RHS scuff (1) plate and kick panel (2).
<p>3</p>	<ul style="list-style-type: none"> • At LHS B-Pillar, remove the seat belt mounting bolt (1) and take b-pillar trim (2) off.
<p>4</p>	<ul style="list-style-type: none"> • Remove LHS front wheel arch trim and foam to get access to grommet hole (1).

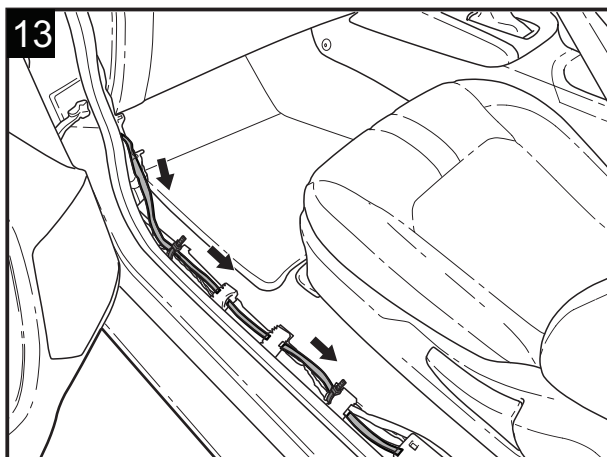
ISUZU D-MAX 2021+

 <p>Diagram 5 shows the ECU module located inside the LHS kick panel. A dashed circle highlights the ECU module and its associated wiring.</p>	<ul style="list-style-type: none"> Remove the ECU module inside LHS kick panel.
 <p>Diagram 6 shows the battery compartment. A circled '1' points to the battery positive terminal, and a circled '2' points to the screw holding ground wires by the side of the battery.</p>	<ul style="list-style-type: none"> Connect the Chassis Harness positive to the battery positive (1). Find the screw holding ground wires by the side of battery (2) and connect Chassis Harness negative to it.
 <p>Diagram 7 shows the engine bay. A black arrow points to the chassis harness being routed down the engine bay, following existing vehicle harness. Another black arrow points to a grommet hole where a branch of the harness is being inserted.</p>	<ul style="list-style-type: none"> Route harness down the engine bay following existing vehicle harness. Route the branch with grommet into the grommet hole to making a watertight seal.
 <p>Diagram 8 shows the chassis rail area. Three black arrows point to the chassis harness being routed along the chassis rail, secured to the existing vehicle harness at every 300mm using supplied cable ties.</p>	<ul style="list-style-type: none"> Continue routing the Chassis Harness to the LHS rear following the chassis rail securing it to the existing vehicle harness at every 300mm using supplied cable ties.

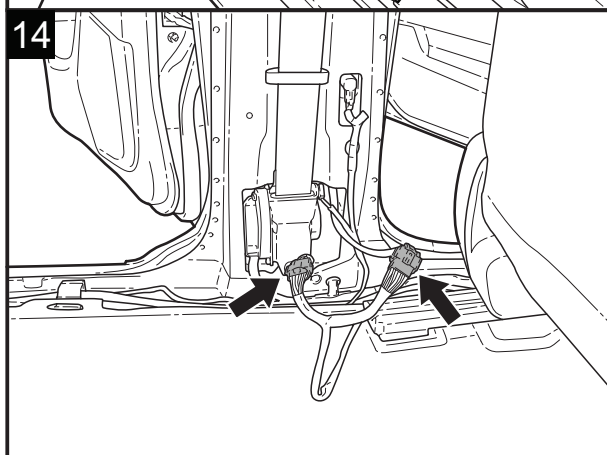
ISUZU D-MAX 2021+

<p>9</p> 	<ul style="list-style-type: none"> • Patch into the vehicle prewire connector located below the LHS tail-light cluster.
<p>10</p> 	<ul style="list-style-type: none"> • Inside the car find the 6-way demister connector located behind the top right hand corner of the fuse box and patch one end of the RKE Patch Harness.
<p>11</p> 	<ul style="list-style-type: none"> • Route the other end of the RKE Patch Harness above the RHS & LHS footwell and secure using supplied cable ties. 
<p>12</p> 	<ul style="list-style-type: none"> • Inside the LHS kick panel, patch the 6-way male connector to the already routed 6-way female connector present on the Chassis harness.

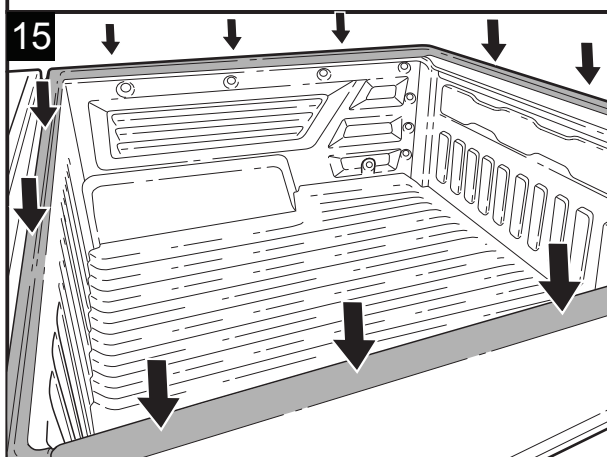
ISUZU D-MAX 2021+



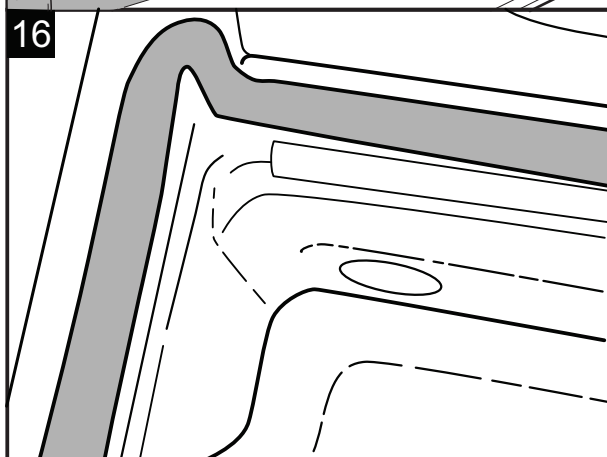
- Route & secure the RKE Patch Harness along the LHS front door sill following existing vehicle harness towards the B-pillar using supplied cable ties.



- Find the 14-way connector pair near the motor inside B-pillar and patch in using the 14-way connectors present on the RKE Patch Harness.



- Degrease the bed rail.



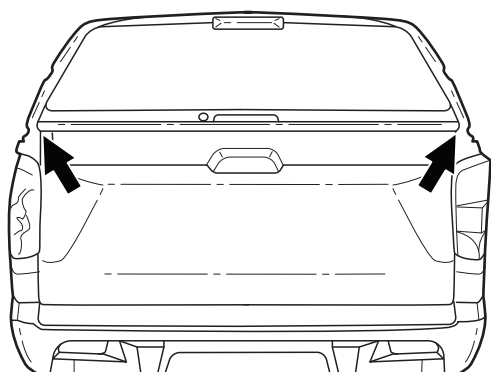
- Apply mounting tape in one piece on the upper side of the bed rail.

ISUZU D-MAX 2021+

<p>17</p>	<ul style="list-style-type: none"> • Apply silicone in the connections of the front bed area. 	
<p>18</p>	<ul style="list-style-type: none"> • Position with 4 people the hardtop with closed tailgate on the vehicle. 	
<p>19</p>		<ul style="list-style-type: none"> • The rubber of the hardtop tailgate has to slightly touch the car tailgate.
<p>20</p>	<ul style="list-style-type: none"> • Connect the 8-way female canopy interfacing connector of chassis harness with 8-way male connector on the canopy harness. 	

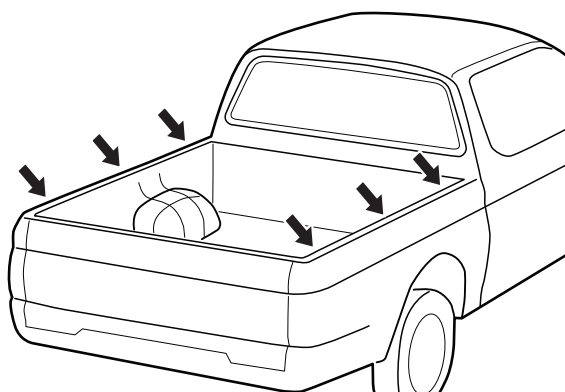
ISUZU D-MAX 2021+

21



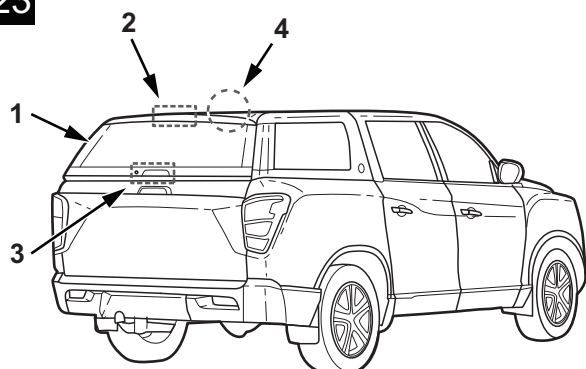
- Close the tailgate of the hardtop and ensure that it fits nicely with the tailgate of the car.

22



- Test the following points:

23



- Secure the hardtop at the indicated places with the supplied clamps.

1. Rear window defroster
2. Third brake light.
3. Central locking system
4. Interior light